

ETN230 (Rotomatic) Automatic Escalator Deep Cleaning Machine

Providing industry leading, deep cleaning results through ease of use and maintenance with built-in Self-Cleaning Mode - The revolutionary feature that saves time on after-clean maintenance.

Simultaneously cleans both the horizontal AND vertical faces of escalator steps

Designed to provide long, simple and reliable service day in, day out - With both striking and professional results, on any conventional escalator or moving stairway system.

ETN230 = 230v
ETN115 = 115v

POWERFUL

Cleaning Results
Powerful and professional results, on any traditional escalator.

CLEAN, DRY & SAFE

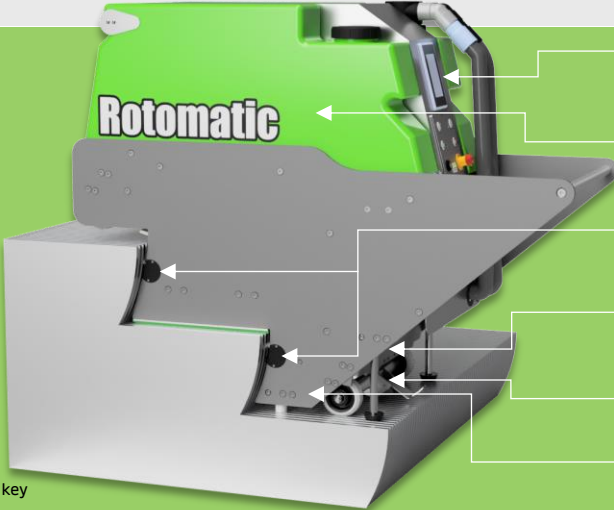
Escalators
Dual step drying action leaves steps ready to walk on.

COMPLETE

Cleaning Control
5 automatic cleaning cycles to choose from to suit any task.

PROMOTES SAFETY

Auto-Safety Brake
Prevents machine rolling back off steps. Also features an Emergency Stop and power-off key and low-voltage controls.



Intuitive Use

Easy to understand and operate with industrial touch screen interface.

Stay Cleaning for Longer

Large 20 Litre detergent tank capacity means less time spent emptying and refilling tanks.

Easy Brush Change

Simply remove the brush access covers to gain access to all 16 brushes in the machine.

Energy Efficient

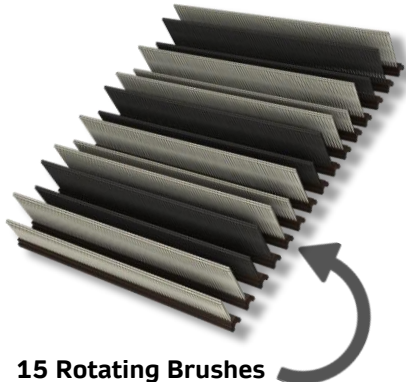
Dual step-drying feature uses vacuum exhaust to blown dry steps after vacuuming them dry.

Auto-Safety Brake

Prevents machine rolling backwards off escalator steps.

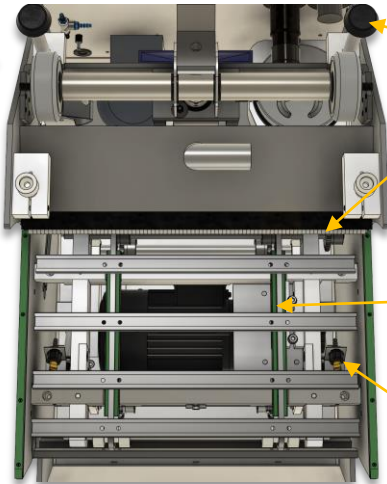
Premium Build Quality

Custom made stainless steel and aluminium components used throughout.



15 Rotating Brushes

Clean, scrub and carry away ground-in dirt and debris, where it is then collected and recovered into the waste tank for disposal.



*Cleaning Brushes Removed

Soft Step Interfaces

Nylon and rubber parts interface the step to prevent marring or damage and provide grip for the machine.

Fixed Static Brush

A single fixed, firm bristled static brush cleans the 15 rotating brushes as they rotate, depositing dirt and debris into the waste collector to be sucked away into the tank.

Stainless Steel Chains

High quality stainless steel chains rotate the brushes while being completely resistant to corrosion and rust.

Precision Spray Jets

Spray a precise amount of detergent onto the brushes, coating them as they pass. The brushes then apply this to the steps in order to clean them.



Working Width:	520mm
Min Step Height:	185mm
Max Step Height:	235mm
Rated Voltage:	230VAC (ETN230) 115VAC (ETN115)
Rated Power Input:	1900W
Rated Frequency:	50-60Hz
Noise Level:	85±2dB
Fastest Cleaning Program:	10 seconds

