

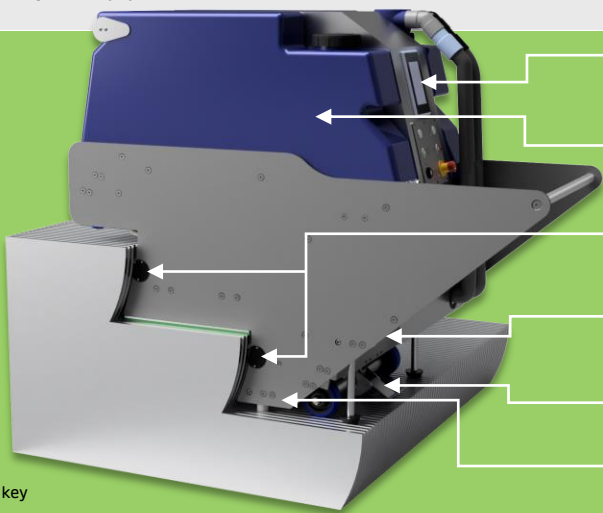
# ETN230 (Rotomatic) Automatic Escalator Deep Cleaning Machine

ETN230 = 230V  
ETN115 = 115V

Providing industry leading, deep cleaning results through ease of use and maintenance with built-in Self-Cleaning Mode - The revolutionary feature that saves time on after-clean maintenance.

Simultaneously cleans both the horizontal AND vertical faces of escalator steps

Designed to provide long, simple and reliable service day in, day out - With both striking and professional results, on any conventional escalator or moving stairway system.



**Intuitive Use**  
Easy to understand and operate with industrial touch screen interface.

**Stay Cleaning for Longer**  
Large 20 Litre detergent tank capacity means less time spent emptying and refilling tanks.

**Easy Brush Change**  
Simply remove the brush access Covers to gain access to all 16 brushes in the machine.

**Energy Efficient**  
Dual step-drying feature uses vacuum exhaust to blown dry steps after vacuuming them dry.

**Auto-Safety Brake**  
Prevents machine rolling backwards off escalator steps.

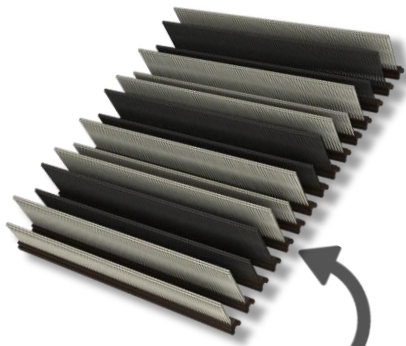
**Premium Build Quality**  
Custom made stainless steel and aluminium components used throughout.

**POWERFUL**  
Cleaning Results  
Powerful and professional results, on any traditional escalator.

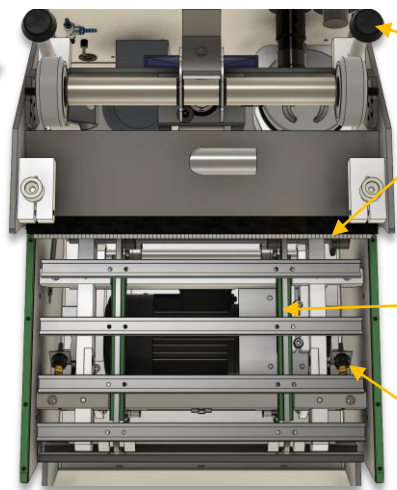
**CLEAN, DRY & SAFE**  
Escalators  
Dual step drying action leaves steps ready to walk on.

**COMPLETE**  
Cleaning Control  
5 automatic cleaning cycles to choose from to suit any task.

**PROMOTES SAFETY**  
Auto-Safety Brake  
Prevents machine rolling back off steps. Also features an Emergency Stop and power-off key and low-voltage controls.



**15 Rotating Brushes**  
Clean, scrub and carry away ground-in dirt and debris, where it is then collected and recovered into the waste tank for disposal.



**Soft Step Interfaces**  
Nylon and rubber parts interface the step to prevent marring or damage and provide grip for the machine.

**Fixed Static Brush**  
A single fixed, firm bristled static brush cleans the 15 rotating brushes as they rotate, depositing dirt and debris into the waste collector to be sucked away into the tank.

**Stainless Steel Chains**  
High quality stainless steel chains rotate the brushes while being completely resistant to corrosion and rust.

**Precision Spray Jets**  
Spray a precise amount of detergent onto the brushes, coating them as they pass. The brushes then apply this to the steps in order to clean them.

\*Cleaning Brushes Removed)



Working Width:	520mm
Min Step Height:	185mm
Max Step Height:	235mm
Rated Voltage:	230VAC (ETN230) 115VAC (ETN115)
Rated Power Input:	1900W
Rated Frequency:	50-60Hz
Noise Level:	85±2dB
Fastest Cleaning Program:	10 seconds

