

# ETN230 (Rotomatic) Automatic Escalator Deep Cleaning Machine

ETN230 = 230V  
ETN115 = 115V

Providing industry leading, deep cleaning results through ease of use and maintenance with built-in Self-Cleaning Mode - The revolutionary feature that saves time on after-clean maintenance.

Simultaneously cleans both the horizontal AND vertical faces of escalator steps  
Designed to provide long, simple and reliable service day in, day out - With both striking and professional results, on any conventional escalator or moving stairway system.

## POWERFUL

**Cleaning Results**  
Powerful and professional results, on any traditional escalator.

## CLEAN, DRY & SAFE

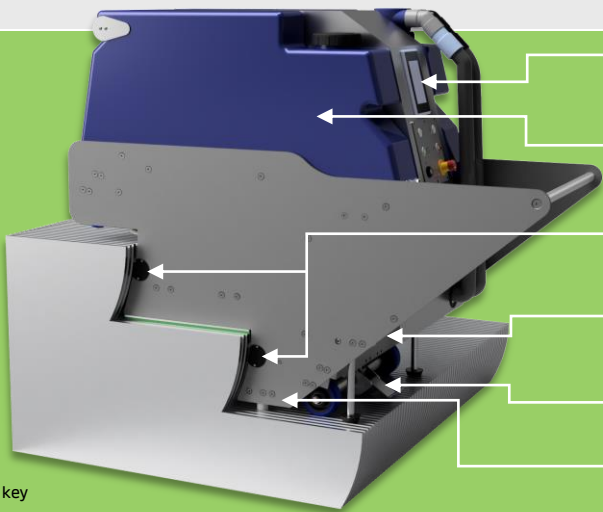
**Escalators**  
Dual step drying action leaves steps ready to walk on.

## COMPLETE

**Cleaning Control**  
5 automatic cleaning cycles to choose from to suit any task.

## PROMOTES SAFETY

**Auto-Safety Brake**  
Prevents machine rolling back off steps. Also features an Emergency Stop and power-off key and low-voltage controls.



## Intuitive Use

Easy to understand and operate with industrial touch screen interface.

## Stay Cleaning for Longer

Large 20 Litre detergent tank capacity means less time spent emptying and refilling tanks.

## Easy Brush Change

Simply remove the brush access covers to gain access to all 16 brushes in the machine.

## Energy Efficient

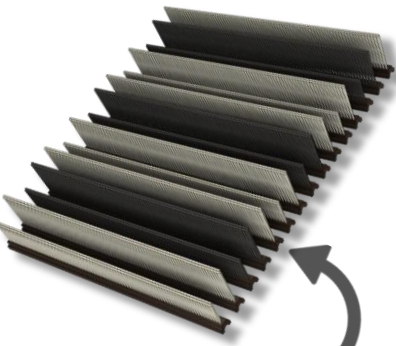
Dual step-drying feature uses vacuum exhaust to blown dry steps after vacuuming them dry.

## Auto-Safety Brake

Prevents machine rolling backwards off escalator steps.

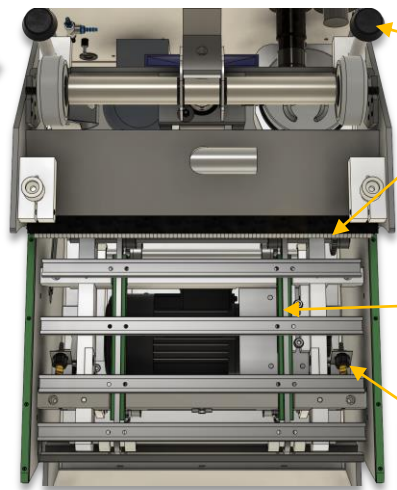
## Premium Build Quality

Custom made stainless steel and aluminium components used throughout.



## 15 Rotating Brushes

Clean, scrub and carry away ground-in dirt and debris, where it is then collected and recovered into the waste tank for disposal.



\*Cleaning Brushes Removed

## Soft Step Interfaces

Nylon and rubber parts interface the step to prevent marring or damage and provide grip for the machine.

## Fixed Static Brush

A single fixed, firm bristled static brush cleans the 15 rotating brushes as they rotate, depositing dirt and debris into the waste collector to be sucked away into the tank.

## Stainless Steel Chains

High quality stainless steel chains rotate the brushes while being completely resistant to corrosion and rust.

## Precision Spray Jets

Spray a precise amount of detergent onto the brushes, coating them as they pass. The brushes then apply this to the steps in order to clean them.



Working Width:	520mm
Min Step Height:	185mm
Max Step Height:	235mm
Rated Voltage:	230VAC (ETN230) 115VAC (ETN115)
Rated Power Input:	1900W
Rated Frequency:	50-60Hz
Noise Level:	85±2dB
Fastest Cleaning Program:	10 seconds

